

Innotech Solutions

Technological Market Products SL







Innotech
Solutions



LEON

Galaxy,Imagine,Universe

The design inspiration comes from the Milky way,with the quiet and deep starry sky as the idea,the black frosted texture artificial stone body table,like the night solemn,the stone panel detail is composed of the different size gravel form,like the Milky way of stars in the sky,take you into time and space.



LEON





LEON





FOREST

Forest,Natural,Green

Design inspiration comes from the forest.High-grade solid wood main cabinet,natural walnut texture,rendering quiet and calm jungle deep aesthetic,aimed at home life into nature,feel the power of nature.



FOREST





WAGNER

Natural,Vigour,Waterfall

In order to make the space more vivid,WAGNER based on rock ash,using hanging pouring design,with clear and pure natural flowing water sound,as if in the waterfall,give people reverie,poetic infinite.



WAGNER





WAVE

Natural, Quiet, Steady, Unique

Ripples in the water, stirring the heartstrings. Design inspiration comes from the ripples, in the water jump, the art and taste of the fusion, outline the space in the landscape, calm and chic revealed the beauty of tranquility.



WAVE



WAVE





DORIC

lunar eclipse, Flower, Pure

Fully show the design of the persistence of beauty and the pursuit of taste. The very artistic shape has improved the monotonous feeling of the wall, the unique semicircular silver mirror, like the first month, diffuse the natural spirit breath, the artificial stone column basin uses the flower modelling, displays the magnificent beauty, To bring home more pleasing visual effects.



DORIC



ARBOR

Sailing boat, Freedom, Noble

The inspiration comes from the sailing boat as the imagination, with the exquisite artificial stone column basin craft modelling, melts the modern streamline modelling sail element, portrays the sailing boat standing on the coast, sails the unique sensory enjoyment.





AUER

Bright, Introverted, Geometry,

Design inspiration comes from geometric cylindrical bodies. Use abstract geometry to show concrete objects and bring different sensory enjoyment.

The overall emphasis on fine lines and functions, lines concise and bright, showing an orderly bright aesthetic.





VICTORY

Grace,Noble,Concise

Design inspiration from aristocratic gentlemen, elegant intellectual, low-key luxury, show charm.



VICTORY



VICTORY



EMILY-R

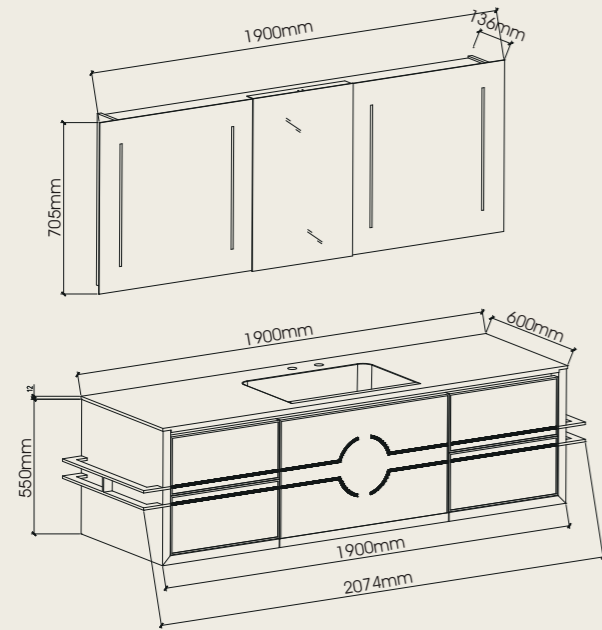
The inspiration comes from the alternation of polar day and polar night, you can drop yourself in the enjoyment of the nature's beauty.



EMILY-R



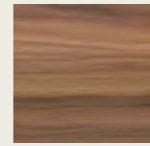
OKD



V011-1900

Technical parameter

Cabinet: 1894(2070)mm W * 595mm D * 550mm H
 Basin: 1900mm W * 600mm D * 125mm H
 LED mirror cabinet: 1900mm W * 136mm D * 705mm H

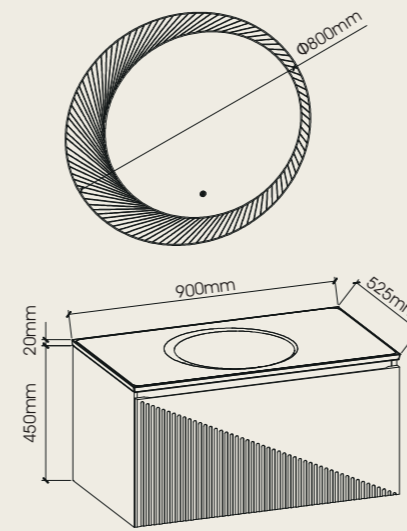


C001



8888

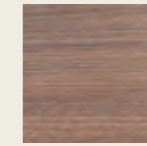
Simon



V014-900

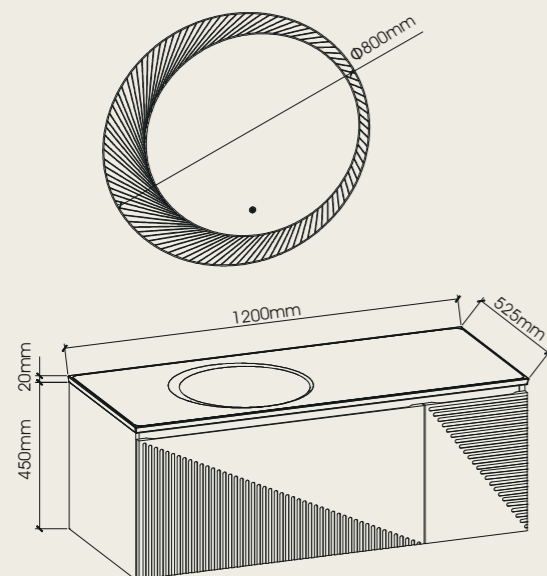
Technical parameter

Cabinet: 896mm W * 518mm D * 450mm H
 Basin: 908mm W * 530mm D * 170mm H
 LED mirror: Φ 800mm * 25mm



9006

Simon



V014-1200

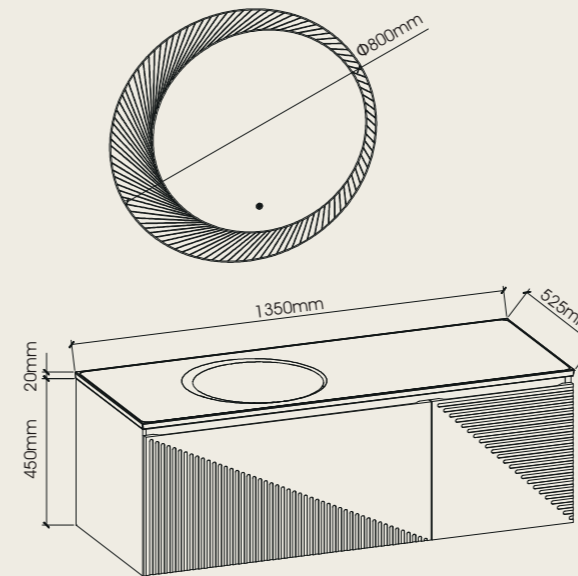
Technical parameter

Cabinet: 1194mm W * 518mm D * 450mm H
 Basin: 1208mm W * 530mm D * 170mm H
 LED Mirror: Φ 800mm * 25mm



9006

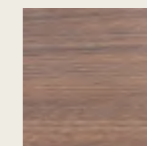
Simon



V014-1350

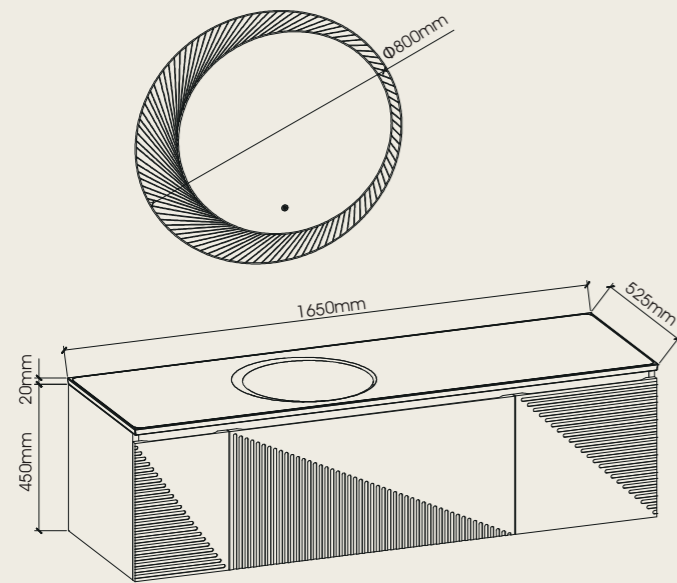
Technical parameter

Cabinet: 1344mm W * 518mm D * 450mm H
 Basin: 1358mm W * 530mm D * 170mm H
 LED Mirror: Φ 800mm * 25mm



9006

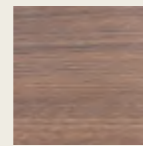
Simon



V014-1650

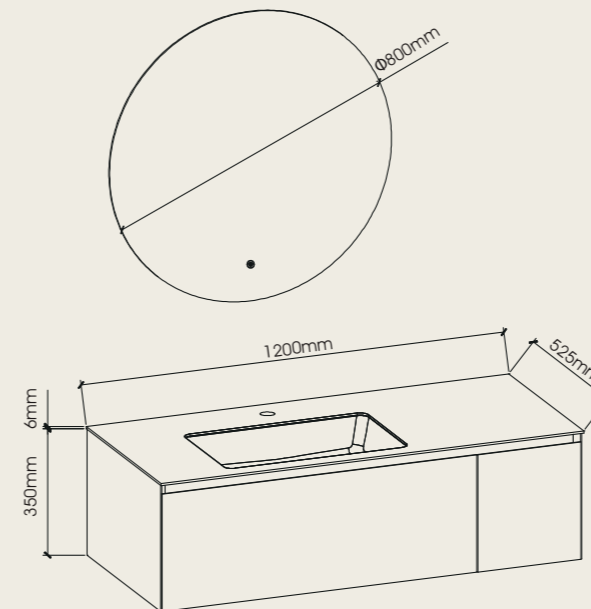
Technical parameter

Cabinet: 1644mm W * 518mm D * 450mm H
 Basin: 1658mm W * 530mm D * 170mm H
 LED Mirror: Φ 800mm * 25mm



9006

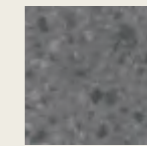
Leon



K013-1200

Technical parameter

Cabinet: 1194mm W * 520mm D * 350mm H
 Top counter: 1200mm W * 525mm D * 22mm H
 Basin: 565mm W * 365mm D * 165mm H
 LED Mirror: Φ 800mm * 25mm

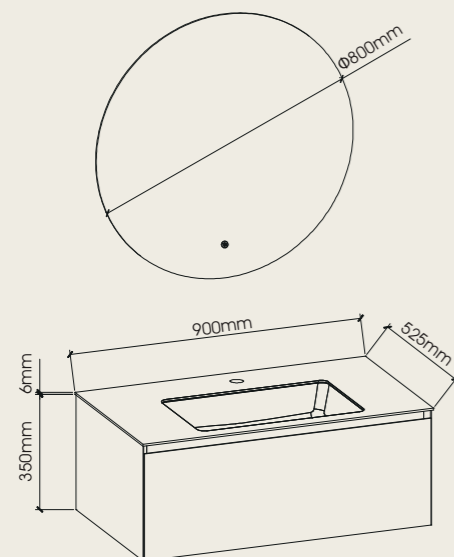


5055



8888

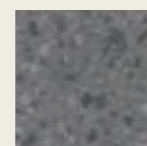
Leon



K013-900

Technical parameter

Cabinet: 894mm W * 520mm D * 350mm H
 Top counter: 900mm W * 525mm D * 22mm H
 Basin: 565mm W * 365mm D * 165mm H
 LED Mirror: Φ 800mm * 25mm

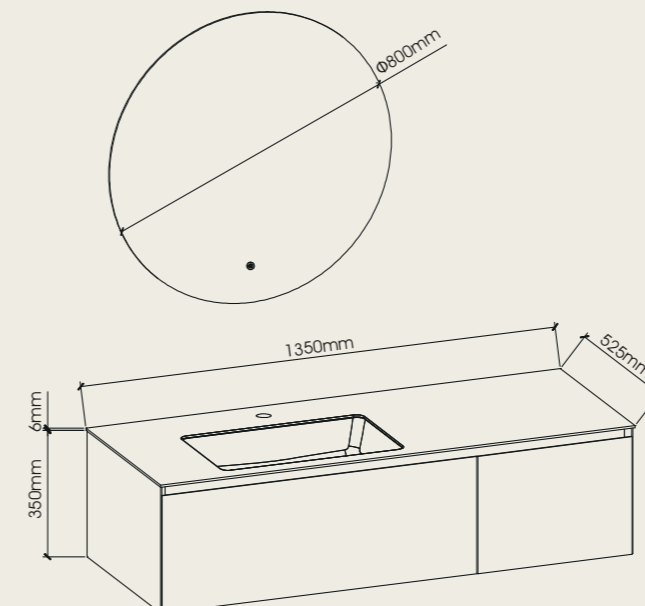


5055



8888

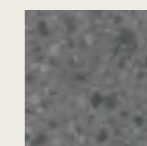
Leon



K013-1350

Technical parameter

Cabinet: 1344mm W * 520mm D * 350mm H
 Top counter: 1350mm W * 525mm D * 22mm H
 Basin: 565mm W * 365mm D * 165mm H
 LED Mirror: Φ 800mm * 25mm

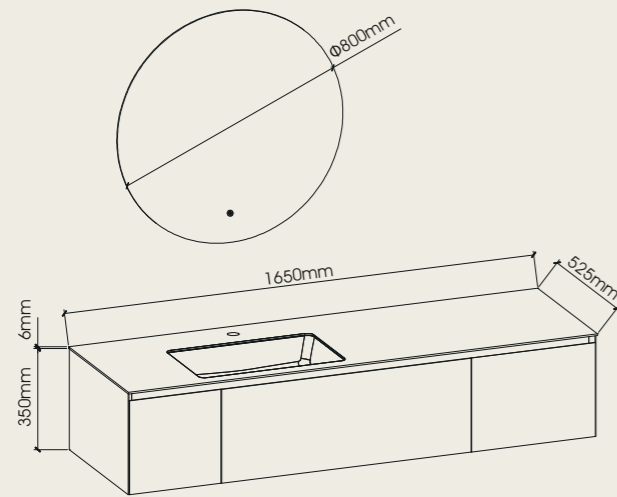


5055



8888

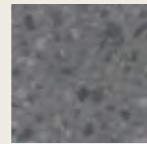
Leon



K013-1650

Technical parameter

Cabinet: 1644mm W * 520mm D * 350mm H
 Top counter: 1650mm W * 525mm D * 22mm H
 Basin: 525mm W * 372mm D * 160mm H
 LED Mirror: Φ 800mm * 25mm

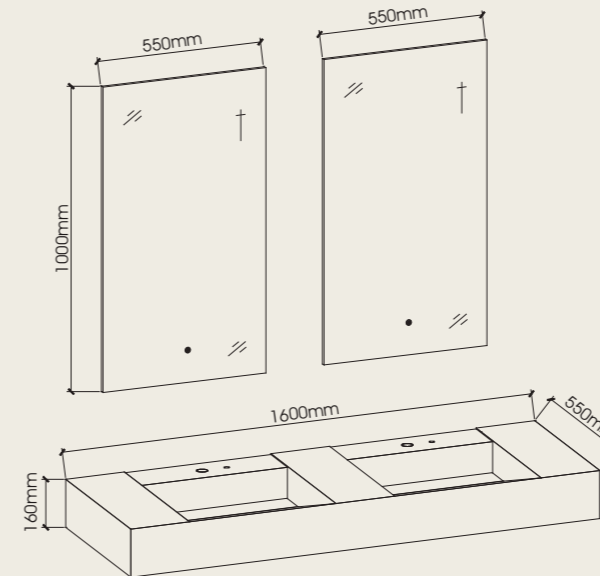


5055



8888

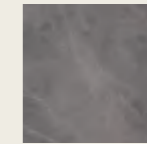
Wagner



K015-1600

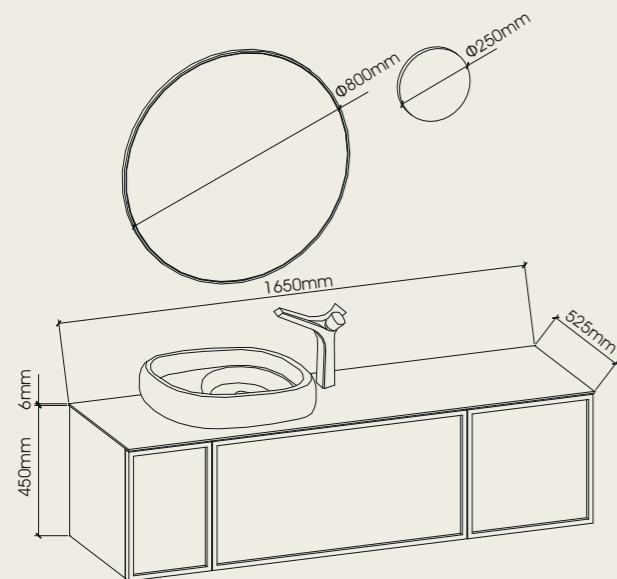
Technical parameter

Basin: 1600mm W * 550mm D * 160mm H
 LED Mirror: 500mm W * 30mm D * 1000mm H



8894

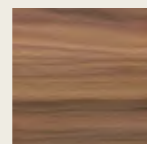
Forest



K012-1650

Technical parameter

Cabinet: 1644mm W * 520mm D * 450mm H
 Top counter: 1650mm W * 525mm D * 6mm H
 Main mirror: Φ 800mm
 Second mirror: Φ 250mm * 35mm
 Basin: 689mm W * 438mm D * 140mm H
 Faucet+Drainage: 235mm W * 80mm D * 310mm H

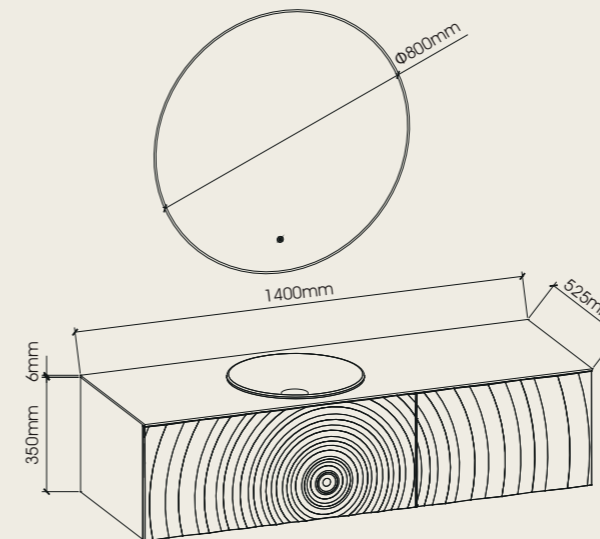


C001



8888

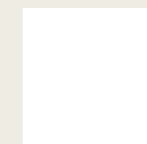
Wave



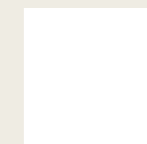
K016-1400

Technical parameter

Cabinet: 1394mm W * 520mm D * 350mm H
 Top counter: 1400mm W * 525mm D * 6mm H
 Basin: 400mm W * 400mm D * 110mm H
 LED Mirror: Φ 800mm * 35mm
 Black basin(optional): 400mm W * 400mm D * 110mm H

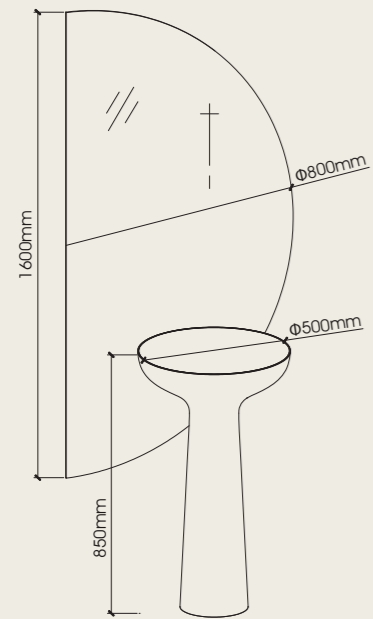


9014



8881

Doric

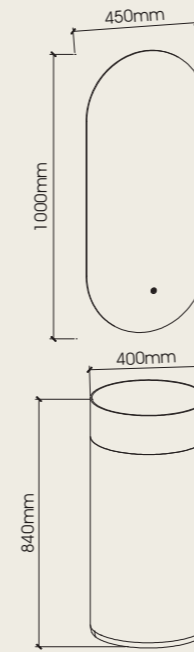


B901-850

Technical parameter

Column basin: Φ 500mm * 850mm
LED Mirror: 800mm W * 25mm D * 1600mm H

Auer

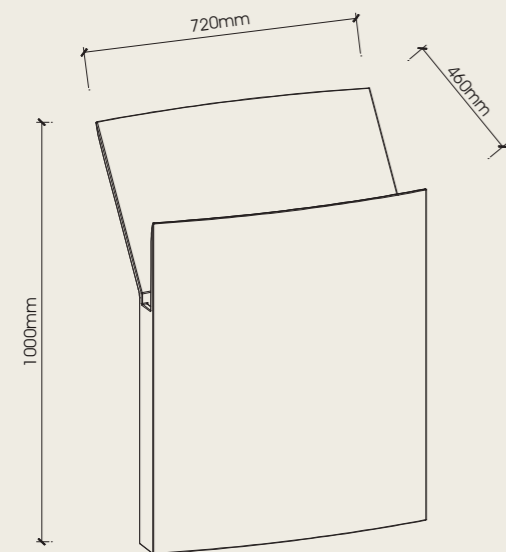


B903-840

Technical parameter

Column basin: Φ 400mm * 840mm
LED Mirror: 450mm W * 25mm D * 1000mm H

Arbor

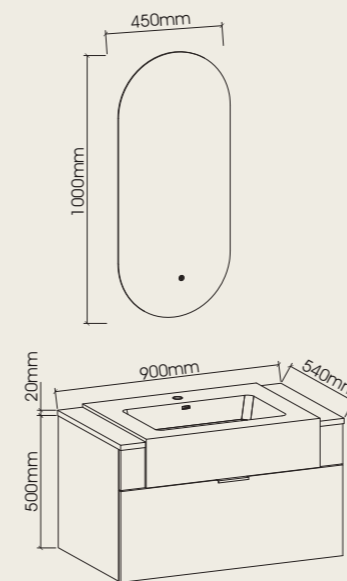


B902-720

Technical parameter

Column basin: 720mm W * 434mm D * 1000mm H
LED Mirror: 500mm W * 5mm D * 1800mm H

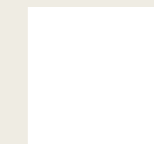
Victory



F01-900

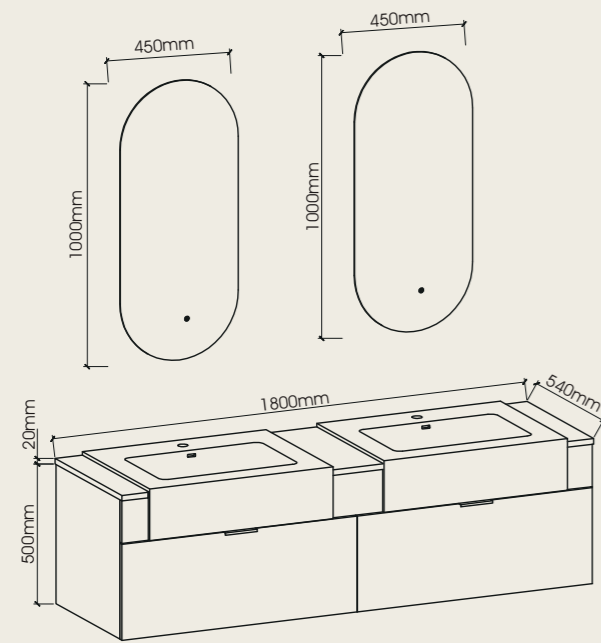
Technical parameter

Cabinet: 894mm W * 540mm D * 500mm H
Basin: 700mm W * 552mm D * 180mm H
Mirror: 450mm W * 25mm D * 1000mm H



D001

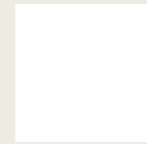
Victory



F01-1800

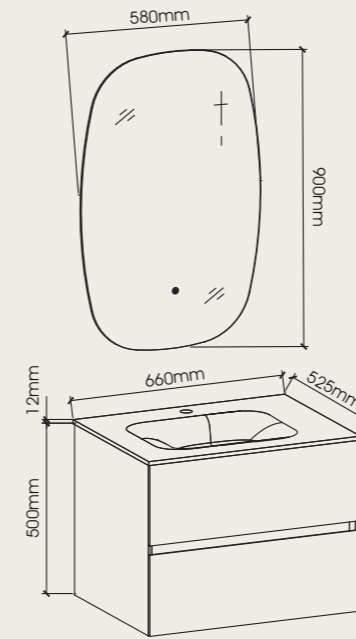
Technical parameter

Cabinet: 1794mm W * 540mm D * 500mm H
 Basin: 700mm W * 552mm D * 180mm H*2
 LED mirror cabinet: 580mm W * 25mm D * 900mm H*2



D001

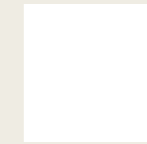
Emily-R



V034-660

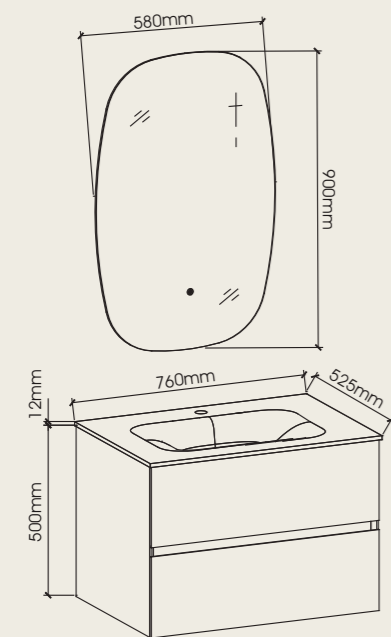
Technical parameter

Cabinet: 650mm W * 520mm D * 500mm H
 Basin: 660mm W * 525mm D * 160mm H
 LED mirror cabinet: 580mm W * 25mm D * 900mm H



D001

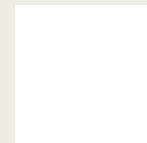
Emily-R



V034-760

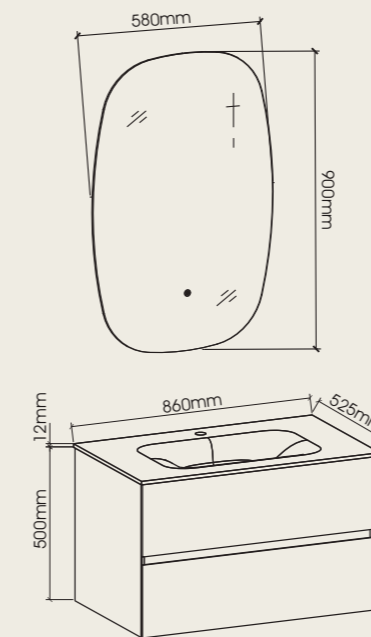
Technical parameter

Cabinet: 750mm W * 520mm D * 500mm H
 Basin: 760mm W * 525mm D * 160mm H
 LED mirror cabinet: 580mm W * 25mm D * 900mm H



D001

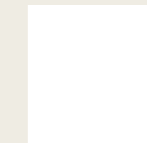
Emily-R



V034-860

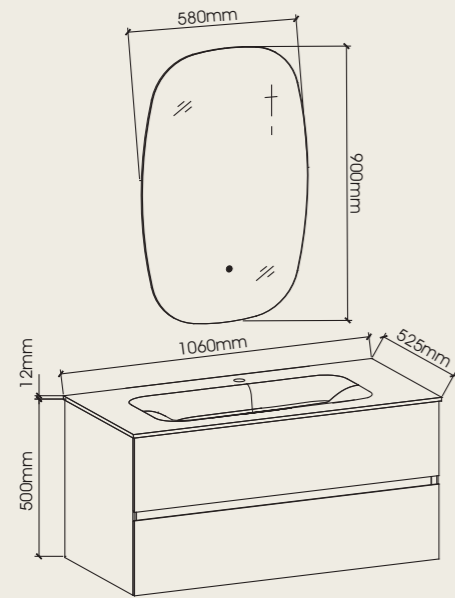
Technical parameter

Cabinet: 850mm W * 520mm D * 500mm H
 Basin: 860mm W * 525mm D * 160mm H
 LED mirror cabinet: 580mm W * 25mm D * 900mm H



D001

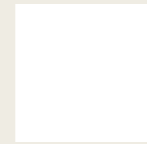
Emily-R



V034-1060

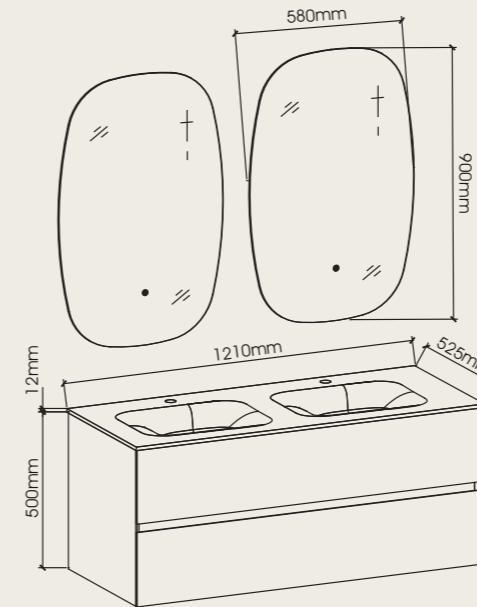
Technical parameter

Cabinet: 1050mm W * 520mm D * 500mm H
 Basin: 1060mm W * 525mm D * 160mm H
 LED mirror cabinet: 580mm W * 25mm D * 900mm H



D001

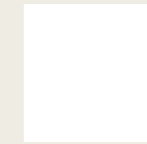
Emily-R



V034-1210D

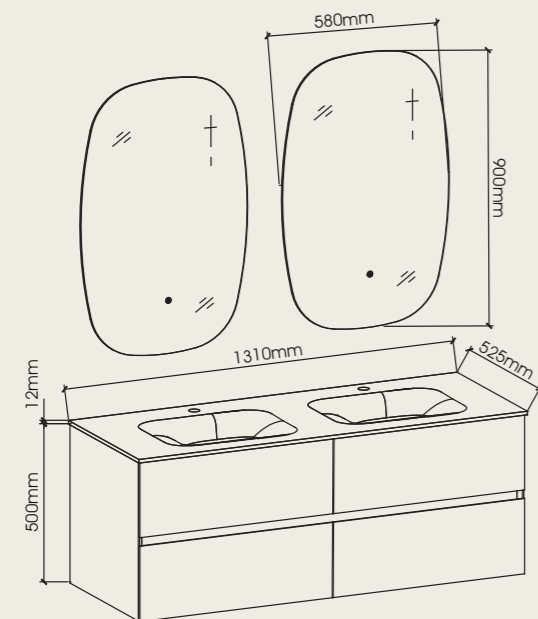
Technical parameter

Cabinet: 1200mm W * 520mm D * 500mm H
 Basin: 1210mm W * 525mm D * 160mm H*2
 LED mirror cabinet: 580mm W * 25mm D * 900mm H*2



D001

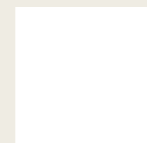
Emily-R



V034-1310D

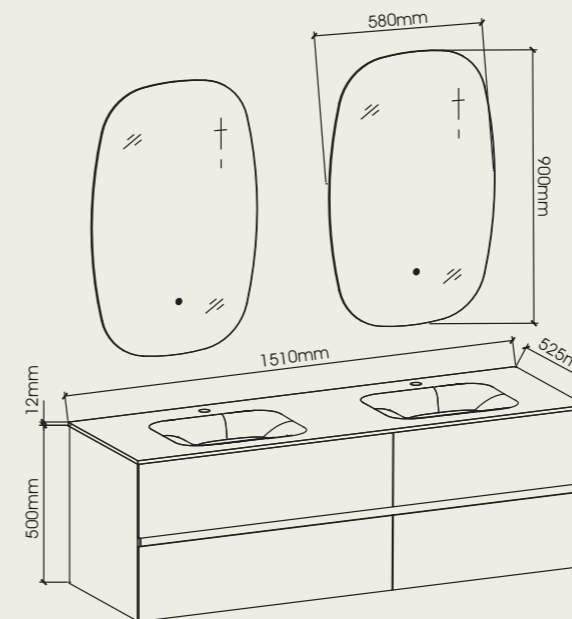
Technical parameter

Cabinet: 650mm W * 520mm D * 500mm H*2
 Basin: 1310mm W * 525mm D * 160mm H*2
 LED mirror cabinet: 580mm W * 25mm D * 900mm H*2



D001

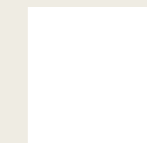
Emily-R



V034-1510D

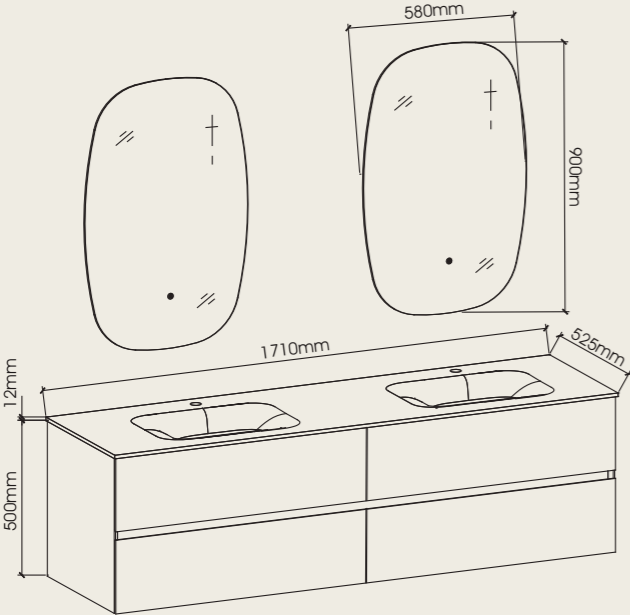
Technical parameter

Cabinet: 750mm W * 520mm D * 500mm H*2
 Basin: 1510mm W * 525mm D * 160mm H*2
 LED mirror cabinet: 580mm W * 25mm D * 900mm H*2



D001

Emily-R



F01-1800

Technical parameter

Cabinet: 850mm W * 520mm D * 500mm H*2
Basin: 1710mm W * 525mm D * 160mm H*2
LED mirror cabinet: 580mm W * 25mm D * 900mm H*2



D001